



LOUDSPEAKERS

CZR SERIES

SUBWOOFERS

CXS XLF SERIES

LOUDSPEAKERS

CHR SERIES

LOUDSPEAKERS

CBR SERIES



PROFESSIONAL PERFORMANCE. SUPERIOR POWER-HANDLING.

The CZR Series is a range of passive loudspeakers offering high power handling and outstanding sonic performance in a portable, lightweight, yet rugged design. The CZR is ideal for a range of live performance and installed sound environments—from live bands at outdoor festivals to DJ's in clubs—these loudspeakers deliver crystal clear, high-quality sound with impressive low frequency performance.



Best in class SPL performance

The CZR Series features 15", 12" and 10" models with transducers using die-cast aluminum frames with a 3" voice coil for very high power input, and a lightweight yet powerful neodymium magnet that helps to add punch and power to your low frequencies. The CZR15 and CZR12 can both produce 129dB SPL with a power rating of 800W for the CZR15 and CZR12, and 700W for the CZR10 in passive mode. Every CZR model is also equipped with Biamp mode to maximize performance.



Focused sound for flexible installation

The HF unit achieves vivid, soaring highs from its titanium diaphragm with a 2" voice coil and neodymium magnet. Like the DZR, the CZR models also feature the rotatable constant directivity horn design (90°x 50° for the CZR15, and 90°x 60° for the CZR12 and CZR10) for increased flexibility in mounting vertically or horizontally.



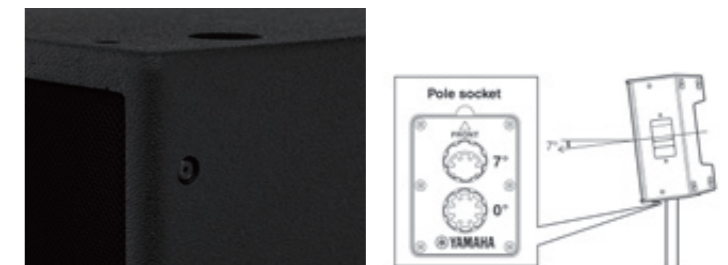
Intelligent processing to maximize system performance

When used in combination with Yamaha PX Series amplifiers or other compatible signal processors, CZR Series loudspeakers can take full advantage of dedicated speaker processor tuning settings. (visit Yamaha pro-audio website for more information).



Premium materials. Road-tested toughness

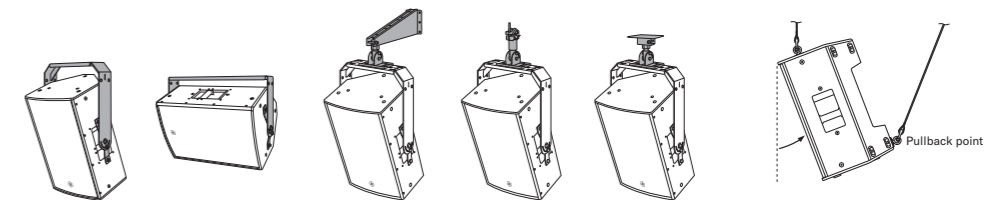
The specially designed enclosure features lightweight and robust premium plywood with a scratch-resistant, rugged Polyurea coating for improved portability and durability on the road, as well as two different sockets for pole-mounting at either -7° down tilt or level. The CXS XLF are equipped with both a 35mm pole socket and an M20 threaded socket to support a full range cabinet.



U Brackets for vertical or horizontal mounting

CZR Series loudspeakers offer plenty of rigging points, allowing for rigged application with U Bracket and standard eyebolts*. Please refer to the specifications for details.

*Eyebolts not included.



	Power Rating ¹	Maximum SPL ²	Frequency Range (-10dB) ³	LF	HF	Coverage Angle
CZR15	800W	129dB SPL	33Hz - 20kHz	15" Cone, 3" VC	2" VC, 1" Throat	H90° x V50° (Rotatable)
CZR12	800W	128dB SPL	38Hz - 20kHz	12" Cone, 3" VC	2" VC, 1" Throat	H90° x V60° (Rotatable)
CZR10	700W	126dB SPL	43Hz - 20kHz	10" Cone, 3" VC	2" VC, 1" Throat	H90° x V60° (Rotatable)

¹ EIA426-A, Passive PGM ² Calculated Maximum SPL (peak) ³ With recommended DSP processing

HOW LOW CAN YOU GO?

The CXS-XLF series is a range of passive subwoofers offering high power handling and outstanding very-low-frequency sonic performance in a portable, lightweight, yet rugged design. For even more bottom end to round out your sound, adding CXS-XLF Series subwoofers can extend your system's low-frequency performance dramatically down to a startling 29Hz for throbbing low frequency reproduction capability that's sure to impress.



CXS XLF SERIES

Acoustics and utility

New Yamaha proprietary transducers with a durable die-cast aluminum frame and 4" voice coil are crucial to achieving such impressive low frequency response, even at the highest output levels. A dual damper also helps to realize extraordinarily high linearity of the low frequencies by mitigating unwanted vibration during extreme output levels.



Intelligent processing to maximize system performance

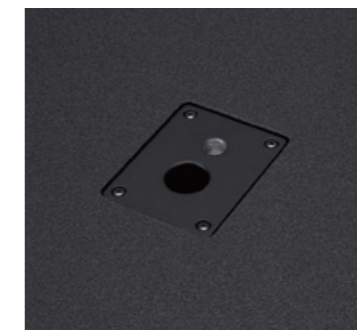
When used in combination with Yamaha PX Series amplifiers or other compatible signal processors CXS-XLF Series subwoofers can take full advantage of dedicated speaker processor tuning settings. Additionally, like the DXS-XLF models, they are capable of use in cardioid mode provided the processor has the dedicated DSP settings (visit Yamaha pro-audio website for more information).(visit Yamaha pro-audio website for more information).



Durable, portable, and road-ready

CXS-XLF enclosure exteriors feature a durable Polyurea coating with extremely high damage resistance to protect the cabinet from scratches, bumps, or severe weather conditions, maintaining a professional appearance for years to come. Additionally, the new, easy-to-grip aluminum handle, optional SPW1 wheel kit, and SPCVR speaker covers provide additional safety, portability, and peace of mind when you're on the road.

The CXS-XLF are equipped with both a 35mm pole socket and an M20 threaded socket to support a full range cabinet. Neutrik speakON NL4MP connectors provide safe and reliable connectivity.



	Power Rating ¹	Maximum SPL ²	Frequency Range (-10dB) ³	LF	HF	Coverage Angle
CXS18XLF	1000W	133dB SPL	29Hz - 150Hz	18" Cone, 4" VC	-	-
CXS15XLF	800W	131dB SPL	33Hz - 150Hz	15" Cone, 4" VC	-	-

¹EIA426-A, Passive PGM ²Calculated Maximum SPL (peak) ³With recommended DSP processing

PERFORMANCE. OPTIMIZED.

The CHR Series offers an ideal solution for anyone ready to step up their sound reinforcement game to a new level of professional quality, accuracy, and performance. Premium plywood cabinets finished in a tough polyurea coating provide durability not found on other loudspeakers in this class. Each model in the series has been optimized to meet the demands of a variety of sound reinforcement applications, with a 10" model for fixed installation and utilities, a 12" model designed for use as a floor monitor, and a 15" version for FOH applications—all featuring custom transducers carefully selected. Combined with practical features adapted for their specific applications, the series gives you the flexibility to choose the ideal speaker for a wide variety of sonic environments. Isn't it time you audition CHR quality and performance to improve your sound?



Cabinet designs optimized for a range of audio environments

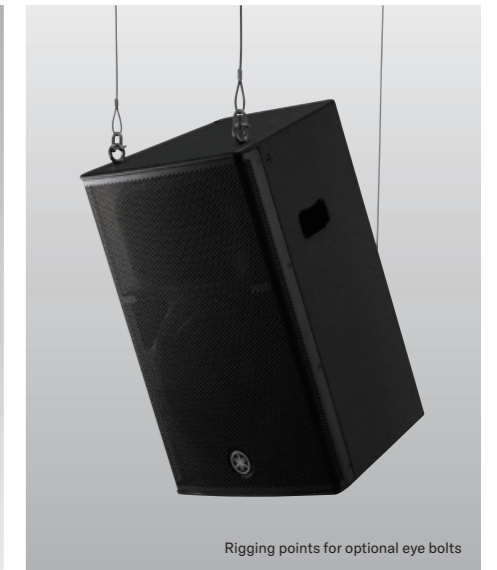
The CHR Series features a comprehensive lineup of loudspeakers with cabinets optimized to meet the demands of specific applications. The 10" model is equipped with rotating horns and a dedicated U-bracket for use in fixed installations and utility, while the 12" model is the first Yamaha speaker to feature a coaxial compression driver for improved clarity and smoother frequency response for floor monitoring. The series is rounded out by a 15" model featuring dual-angle pole sockets and rigging points for use in fixed installations or as temporary main speakers for sound reinforcement.



CHR10



CHR12M



CHR15

Intelligent processing to maximize system performance

When used in combination with Yamaha PX Series amplifiers or other compatible signal processors, CHR Series loudspeakers can take full advantage of dedicated speaker processor tuning settings. Additionally, the CHR Series can also be used to construct a system in combination with Yamaha subwoofers (visit [Yamaha pro-audio website](#) for more information).



Dual-Angle Pole Mount Socket (CHR15)

CHR15's pole mount socket offers two positions—0° and 7°—to direct the acoustic energy away from reflective surfaces in a room with low ceilings and on to your audience where it belongs.



Custom Designed Transducers

The high power output woofers deliver well-defined, powerful bass with minimal distortion, while the 1.4" precision compression driver* produces accurate mid-range and high frequencies.

*CHR12M features a 1.75" coaxial compression driver.



12" coaxial driver



A Rugged, Highly Portable Cabinet

The CHR series feature plywood enclosures like our acclaimed CZR loudspeakers to deliver outstanding durability and acoustic performance.

	Power Rating ¹	Maximum SPL ²	Frequency Range (-10dB)	LF	HF	Coverage Angle
CHR15	1000W	125dB SPL	49Hz-20 kHz	15" Cone	1.4" diaphragm, 1" throat	H90° x V60°
CHR12M	1000W	123dB SPL	61Hz-20kHz	12" Cone (coaxial with HF)	1.75" diaphragm, 1" throat	H90° x V60°
CHR10	700W	122dB SPL	55Hz-20kHz	10" Cone	1.4" diaphragm, 1" throat	H90° x V60° (Rotatable)

¹ EIA426-A, Passive PGM ² Calculated Maximum SPL (peak)

POWER TO PLAY

The CBR Series is a lineup of passive loudspeakers developed by adopting the extensive knowledge of speaker design and acoustic technologies that Yamaha has accrued over a long and storied history of making speakers of every kind. Combining a meticulous materials selection process, thorough customization of the audio components, and a fresh, innovative approach to speaker design, our engineering team's primary focus was to deliver high-power, high-definition sound in a highly portable and versatile design that is equally at home in front-of-house, floor monitoring, or rigged configurations.



Custom Designed Transducers and Wide-Dispersion Constant Directivity Horn for Powerful High-Definition Sound

CBR Series speakers come equipped with carefully selected and customized transducers that feature a highly responsive woofer and a precise 1.4" compression driver (CBR15 and CBR12) or 1" compression driver (CBR10), ensuring consistent high-definition sound with minimal distortion even at high output levels. Additionally, a newly designed wide-dispersion constant directivity horn minimizes the radiation pattern deterioration in oblique directions that more conventional horns are prone to, allowing sound to expand in a more rectangular pattern, evenly dispersing wide-frequency sound to the outer-most edges of the coverage area.



HF Protection and Highly Responsive LF Unit for Reliable Performance at Any Output Level

Have you ever blown your speakers by cranking up the output levels beyond your speakers capabilities? CBR Series speakers employ a protection function that limits excessive input to the HF unit. This valuable protection circuit affords you worry-free operation of your speakers when you need them most. Combined with a highly responsive LF unit, CBR Series speakers reliably deliver clear, precise sound at any output level.

Simple Connectivity

CBR Series speakers are equipped with one speakON jack and one 1/4" Phone jack that allow for fast and easy connectivity in both personal and professional environments.



Rugged, Highly Portable Enclosure Design

CBR Series speakers feature a very compact, durable, and lightweight plastic cabinet equipped with newly designed, ergonomic handles to ease system transport and setup. In addition, all CBR models feature a sleek, steel front grille that seamlessly blends in with installation aesthetics while protecting the vital inner speaker components from environmental hazards.



Versatility for a Wide Range of Applications

Smart Enclosure Design for Floor Monitoring

The CBR Series speakers feature an optimized 50° wedge angle for floor monitoring. In addition, the CBR12 and CBR15's symmetrical shape allows for effortless configuration of a mirror-mode floor monitoring system for a larger and more defined sweet spot.



Rigging Points for Installation Applications

CBR loudspeakers come equipped with M8 rigging points, allowing for rigged applications with optional speaker brackets or forged eyebolts.

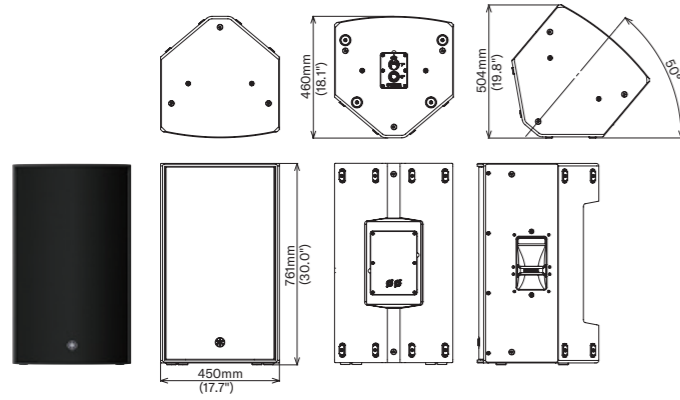


	Power Rating ¹	Maximum SPL ²	Frequency Range (-10dB)	LF	HF	Coverage Angle
CBR15	1000W	132dB SPL	50Hz-20kHz	15" Cone	1.4" diaphragm, 1" throat	H90° x V60°
CBR12	1000W	131dB SPL	52Hz-20kHz	12" Cone	1.4" diaphragm, 1" throat	H90° x V60°
CBR10	700W	129dB SPL	55Hz-20kHz	10" Cone	1" diaphragm, 1" throat	H90° x V60°

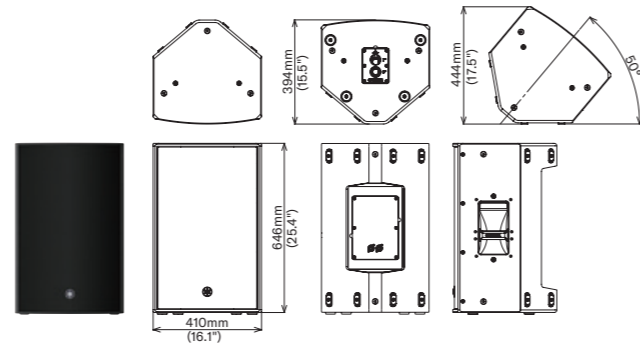
¹EIA426-A, Passive PGM ²Calculated Maximum SPL (peak)

Dimensions

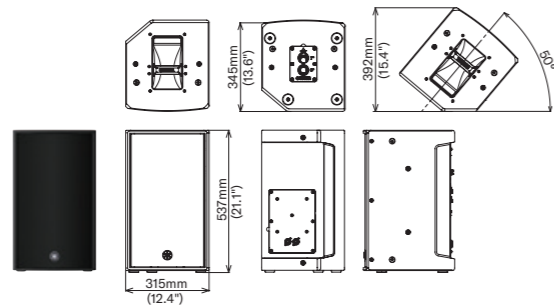
CZR15



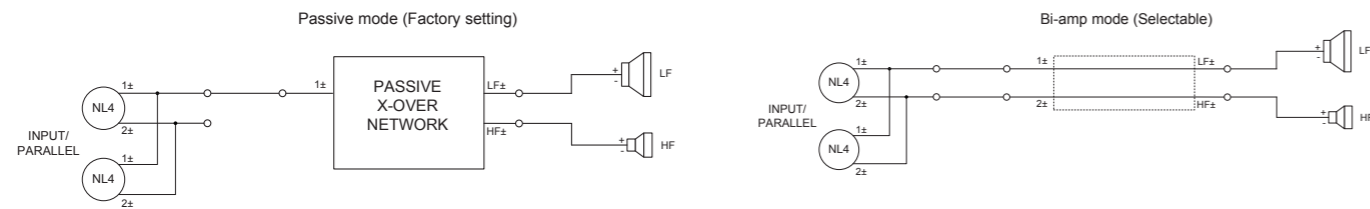
CZR12



CZR10

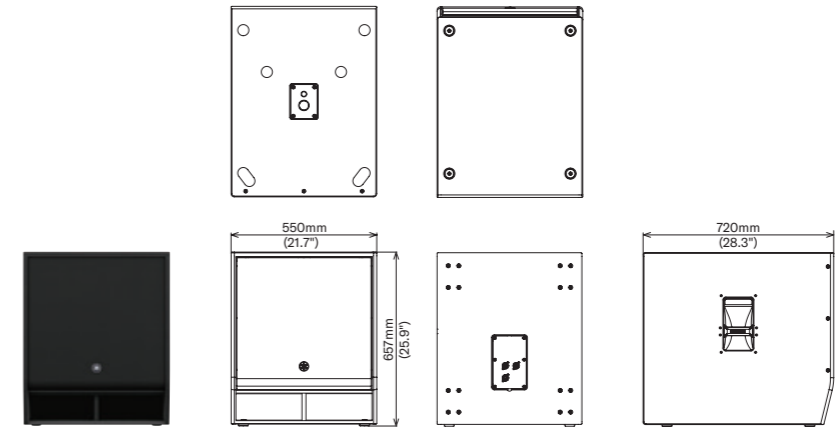


Block Diagram CZR Series

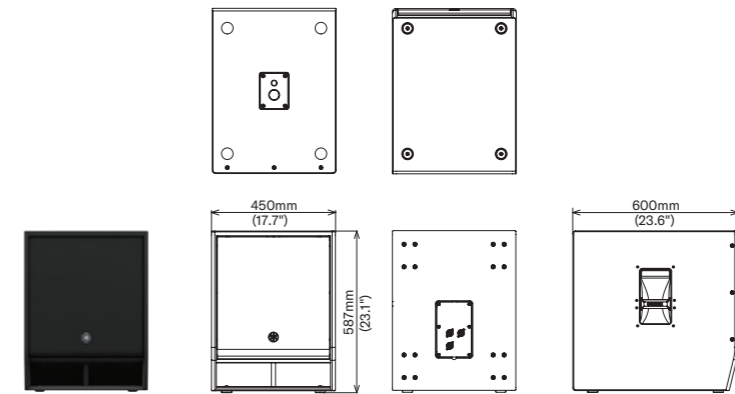


Dimensions

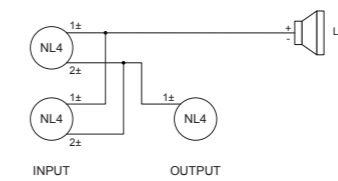
CXS18XLF



CXS15XLF

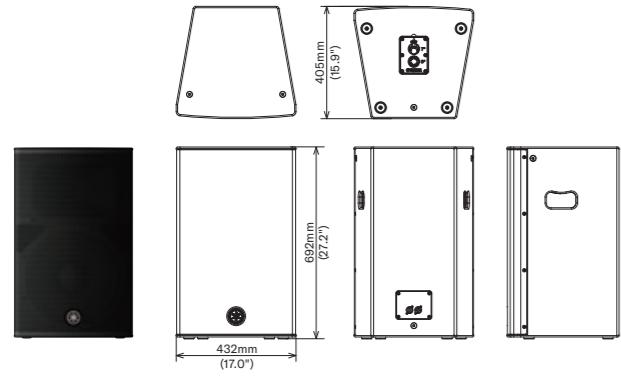


Block Diagram CXS-XLF

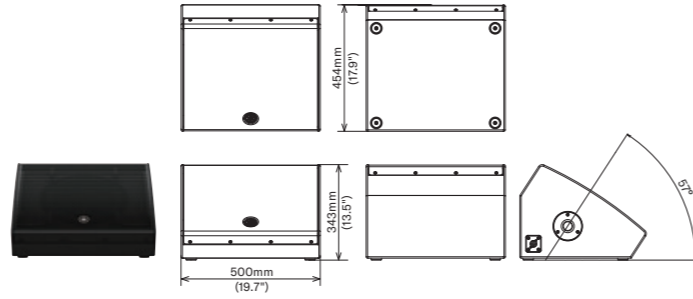


Dimensions

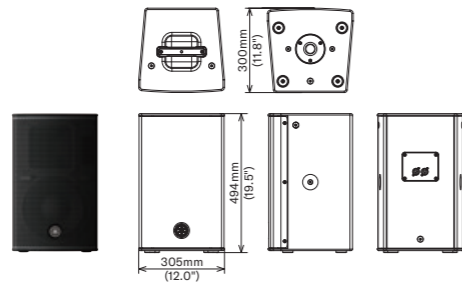
CHR15



CHR12

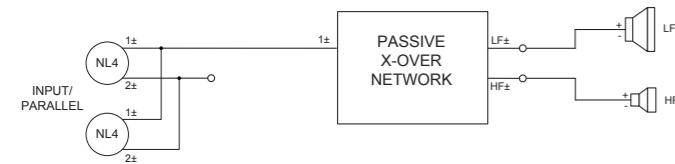


CHR10

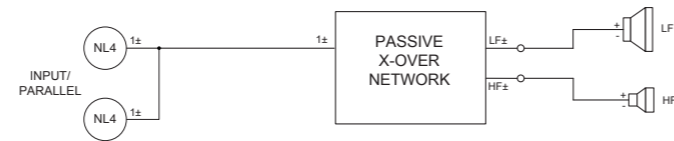


Block Diagram CHR Series

CHR10/15

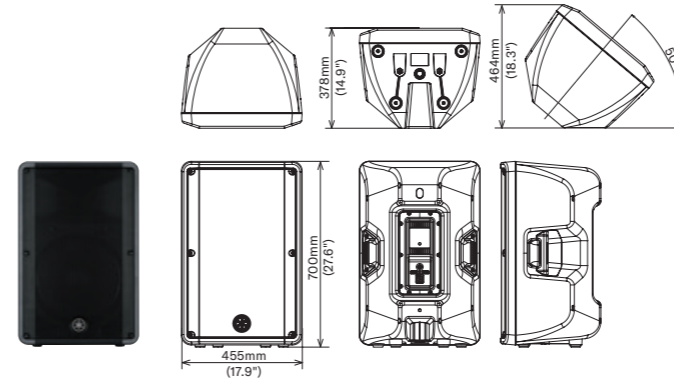


CHR12M

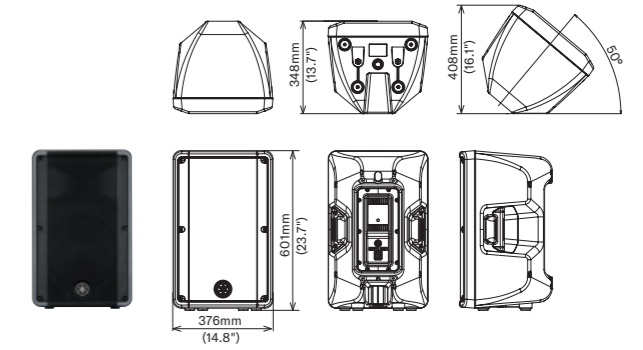


Dimensions

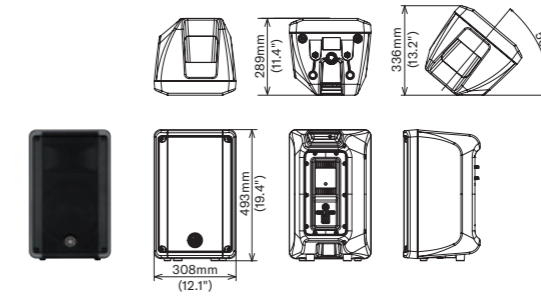
CBR15



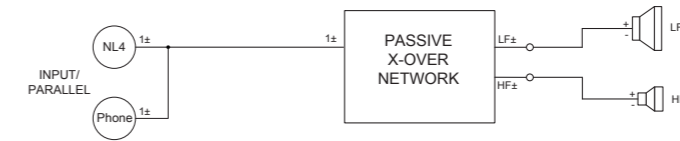
CBR12



CBR10



Block Diagram CBR Series



Specifications

		CZR15	CZR12	CZR10	CXS18XLF	CXS15XLF
General						
System Type		2-way Speaker, Bass-reflex			Subwoofer, Bass-reflex	
Frequency Range (-10dB)	Passive	43Hz - 20kHz	43Hz - 20kHz	43Hz - 20kHz	32Hz - 3kHz	33Hz - 3.5kHz
	Normal *1	34Hz - 20kHz	42Hz - 20kHz	46Hz - 20kHz	32Hz - 150Hz	35Hz - 150Hz
	FOH *1	33Hz - 20kHz	38Hz - 20kHz	43Hz - 20kHz	-	-
	Extend *1	-	-	-	29Hz - 150Hz	33Hz - 150Hz
Coverage Angle		H90° x V50° (Rotatable)	H90° x V60° (Rotatable)		-	-
Crossover Frequency (Passive)		2.0kHz		2.5kHz	-	-
Nominal Impedance	Passive	8Ω			8Ω	
	Bi-amp	LF: 8Ω, HF: 16Ω				
Power Rating (EIA 426-A)	NOISE	400W		350W	500W	400W
	PGM	800W		700W	1000W	800W
	MAX	1600W		1400W	2000W	1600W
Power Rating (LF: EIA 426-A) (HF: AES)	NOISE	LF: 400W, HF: 50W		LF: 350W, HF: 50W	-	-
	PGM	LF: 800W, HF: 100W		LF: 700W, HF: 100W	-	-
	MAX	LF: 1600W, HF: 200W		LF: 1400W, HF: 200W	-	-
	Bi-amp					
Sensitivity (1W, 1m)	Passive	97dB SPL (*2)		95dB SPL (*2)	100dB SPL (*3)	98dB SPL (*3)
	Bi-amp	LF: 99dB SPL, HF: 108dB SPL (*2)	LF: 97dB SPL, HF: 108dB SPL (*2)	LF: 95dB SPL, HF: 108dB SPL (*2)		
Maximum SPL (Calculated, 1m)	Passive	129dB SPL (*2)		127dB SPL (*2)	133dB SPL (*3)	130dB SPL (*3)
	Bi-amp	LF: 131dB SPL, HF: 131dB SPL (*2)	LF: 129dB SPL, HF: 131dB SPL (*2)	LF: 127dB SPL, HF: 131dB SPL (*2)		
Transducer						
LF	Diameter	15" Cone	12" Cone	10" Cone	18" Cone	15" Cone
	Voice Coil	3"			4"	
	Magnet	Neodymium			Ferrite	
HF	Diaphragm	2" Titanium			-	-
	Type	1" Throat Compression Driver			-	-
	Magnet	Neodymium			-	-
Enclosure						
Material, Finish, Color		Plywood, Durable Polyurea coating, Black Also available finished in white.			Plywood, Durable Polyurea coating, Black Also available finished in white.	
Floor Monitor Angle		50° Symmetrical		50°	-	-
Dimensions (W x H x D, with rubber feet)		450 x 761 x 460mm 17.7" x 30.0" x 18.1"	410 x 646 x 394mm 16.1" x 25.4" x 15.5"	315 x 537 x 345mm 12.4" x 21.1" x 13.6"	550 x 657 x 720mm 21.7" x 25.9" x 28.3"	450 x 587 x 600mm 17.7" x 23.1" x 23.6"
Net Weight		21.3kg (47.0lbs)	18.0kg (39.7lbs)	14.0kg (30.9lbs)	43.6kg (96.1lbs)	35.6kg (78.5lbs)
Handles		Side x2		Top x1, Side x1	Side x2	
Pole Socket		Φ35 mm x2 (0° or -7°)			Φ35 mm (depth 80mm), M20 (Threaded depth 25mm)	
Rigging Points for eyebolts		M10 x12 (L:30-50mm)		M10 x8, M8 x2 (L:30-50mm)	-	
Connectors		SpeakON NL4MP x 2 (Parallel)			SpeakON NL4MP x 3 (Parallel x2, Output x1)	
Options	Speaker Bracket	UB-DZR15H/V	UB-DZR12H/V	UB-DZR10H/V	-	-
	Speaker Cover	SPCVR-DZR15	SPCVR-DZR12	SPCVR-DZR10	SPCVR-DXS18X	SPCVR-DXS15X
	Wheel Kit	-	-	-	SPW-1	

*1: with recommended DSP processing. *2: Full space (4π) *3: Half space (2π)

		CHR15	CHR12M	CHR10	CBR15	CBR12	CBR10
General							
System Type		2-way Speaker, Bass-reflex			2-way Speaker, Bass-reflex		
Frequency Range		49 Hz - 20 kHz	61 Hz - 20 kHz	55 Hz - 20 kHz	46Hz - 20kHz	48Hz - 20kHz	50Hz - 20kHz
Coverage Angle		H90° x V60°	H90° x V90°	H90° x V60° (Rotatable)	H90° x V60°		
Crossover Frequency		2.0 kHz	1.5 kHz	2.5 kHz	2.0kHz	2.1kHz	2.8kHz
Nominal Impedance		8Ω					
Power Rating (EIA 426-A)	NOISE	250W		175W	250W	175W	
	PGM	500W		350W	500W	350W	
	MAX	1000W		700W	1000W	700W	
Sensitivity (1W, 1m) *1		95dB SPL	93dB SPL	93dB SPL	96dB SPL		94dB SPL
Maximum SPL (Calculated, 1m) *1		125 dB SPL	123 dB SPL	122 dB SPL	126dB SPL	125dB SPL	123dB SPL
Transducer							
LF	Diameter	15" Cone	12" Cone	10" Cone	15" Cone	12" Cone	10" Cone
	Voice Coil	2.5"		2"	2.5"	2"	
	Magnet	Ferrite					
HF	Diaphragm	1.4" PET	1.75" PET	1.4" PET		1" PET	
	Type	1" Throat Compression Driver	1" Throat Compression Driver, Coaxial	1" Throat Compression Driver			
	Magnet	Ferrite					
Enclosure							
Material, Finish, Color		Plywood, Durable Polyurea coating, Black			Plastic, Black		
Floor Monitor Angle		-	57°	-	50° Symmetrical		50°
Dimensions (W x H x D, with rubber feet)		432 x 692 x 405 mm 17.0" x 27.2" x 15.9"	500 x 343 x 454 mm 19.7" x 13.5" x 17.9"	305 x 494 x 300 mm 12.0" x 19.5" x 11.8"	455 x 700 x 378mm 17.9" x 27.6" x 14.9"	376 x 601 x 348mm 14.8" x 23.7" x 13.7"	308 x 493 x 289mm 12.1" x 19.4" x 11.4"
Net Weight		22.0 kg (48.5 lbs)	15.6 kg (34.4 lbs)	13.7 kg (30.2 lbs)	17.7 kg (39.0 lbs)	13.9 kg (30.6 lbs)	9.4 kg (20.7 lbs)
Handles		Side x2	Side x1	Top x1	Side x2		Top x1
Pole Socket		Φ35 mm x2 (0° or -7°)			Φ35 mm		
Rigging Points for eyebolts		M10 x3 (Top x2, Rear x1, L:30-50mm)	-	M10 x3 (Top x2, Rear x1, L:30-50mm)	M8 x3 (Bottom x2, Rear x1, L:15mm)		M8 x2 (Bottom x2, L:15mm)
Connectors		SpeakON NL4MP x 2 (Parallel)			1/4" Phone x 1, speakON NL4MP x 1		
Options	Speaker Bracket	-	-	UB-DXRDR10	BBS251, BCS251, BWS251-300, BWS251-400		
	Speaker Cover	-			SPCVR-1501	SPCVR-1201	SPCVR-1001

*1: Full space (4π)

Optional Brackets

U Bracket



Model Compatible Speakers

UB-DXRDR10	DXR10/DHR10
UB-DZR10H/V	CZR10
UB-DZR12H/V	CZR12
UB-DZR15H/V	CZR15

UB-DXR brackets can also be used with other brackets like BBS251 etc.

Baton Bracket



Model Compatible Speakers

BBS251	CBR10/12/15
---------------	-------------

Ceiling Bracket



Model Compatible Speakers

BCS251	CBR10/12/15
---------------	-------------

Wall Bracket



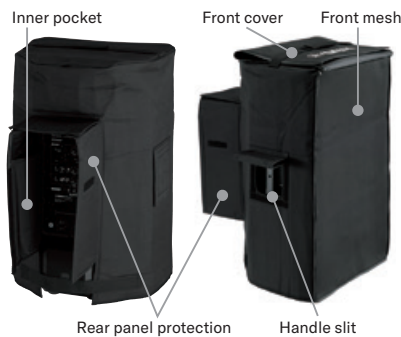
Model Compatible Speakers

BWS251-300	CBR10/12/15
BWS251-400	CBR10/12/15

Functional Speaker Covers

Introducing Yamaha's newly designed functional speaker covers that allow use and protect your speakers from unfavorable weather conditions during outdoor performances, dusty and dirty warehouse storage, or the rigors of equipment transport on the road.

SPCVR-DZR15 on CZR15

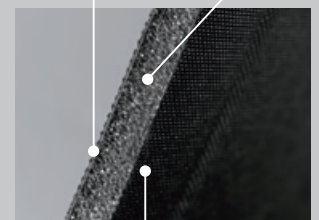


SPCVR-DXS18X on CXS18XLF



Trilaminar fabric

Reverse face Inner cushion



Polyester surface with PVC coating backside

Optional Wheel kit

For more fast and convenient setup of your subwoofers, optional wheels are available, featuring radial ball bearings that ensure quiet during your performance.

Model Compatible Speakers

SPW-1	CXS15XLF, CXS18XLF
--------------	--------------------



YAMAHA CORPORATION
P.O.BOX1, Hamamatsu Japan

<http://www.yamahaproaudio.com/>

*All specifications are subject to change without notice.
*All trademark and registered trademarks are property of their respective owners.